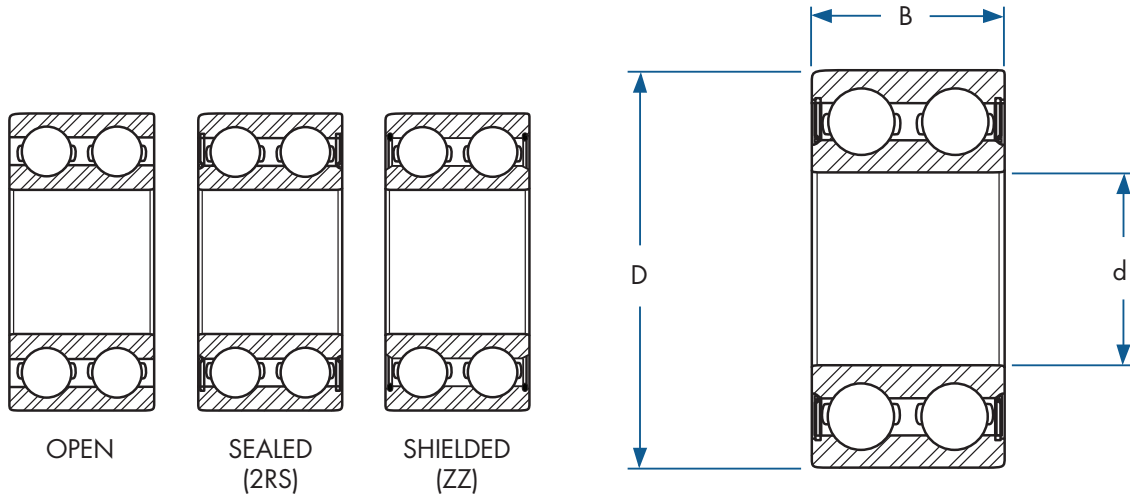


5200 Series



Bearing Size	Dimensions			Load Rating (lbs)		Limiting Speed (RPM)	
				Dynamic	Static	2RS	ZZ/OPEN
	d (mm)	D (mm)	B (inches)	Cr	Cor		
5200	10	30	9/16	1,562	854	17,000	24,000
5201	12	32	5/8	2,057	1,135	15,000	22,000
5202	15	35	5/8	2,248	1,360	14,000	18,000
5203	17	40	11/16	2,878	1,776	12,000	16,000
5204	20	47	13/16	4,271	2,720	10,000	14,000
5205	25	52	13/16	4,631	3,215	8,500	12,000
5206	30	62	15/16	6,429	4,586	7,500	10,000
5207	35	72	1-1/16	8,543	6,250	6,300	9,000
5208	40	80	1-3/16	9,554	7,306	5,600	8,000
5209	45	85	1-3/16	10,791	8,318	5,300	7,500
5210	50	90	1-3/16	11,465	9,442	4,800	7,000
5211	55	100	1-5/16	14,163	11,915	4,500	6,300
5212	60	110	1-7/16	16,074	13,151	4,000	5,600
5213	65	120	1-1/2	18,771	16,299	3,600	4,800
5214	70	125	1-9/16	20,345	17,872	3,400	4,500
5215	75	130	1-5/8	20,233	18,097	3,200	4,500
5216	80	140	1-3/4	23,830	21,469	3,000	4,000
5217	85	150	1-15/16	25,178	23,830	2,600	3,800
5218	90	160	2-1/16	31,473	29,000	2,500	3,600